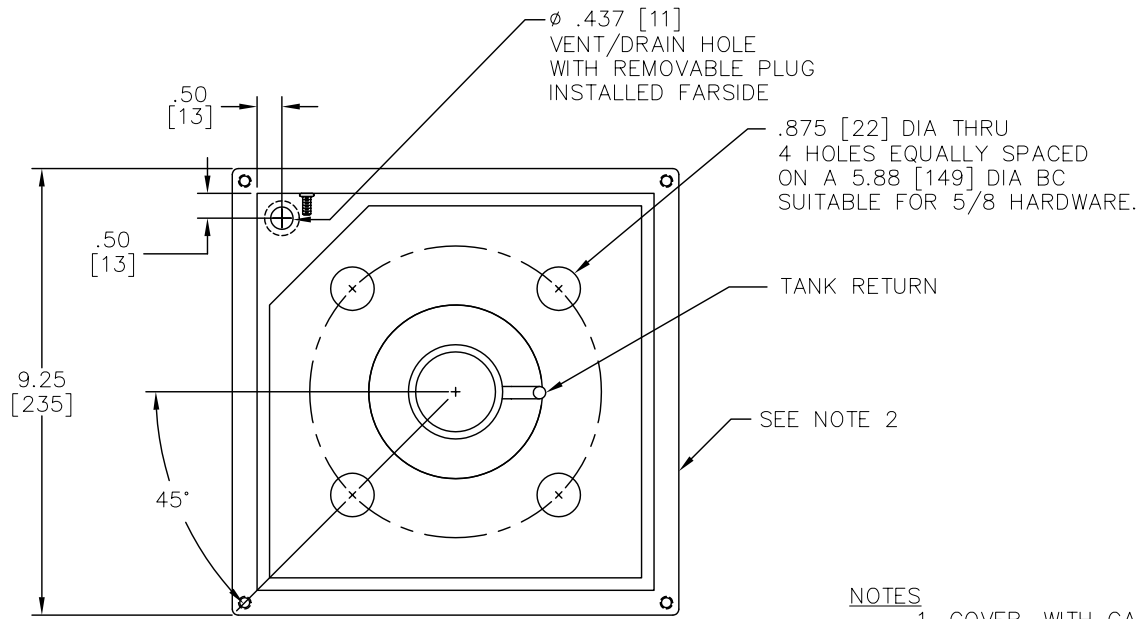


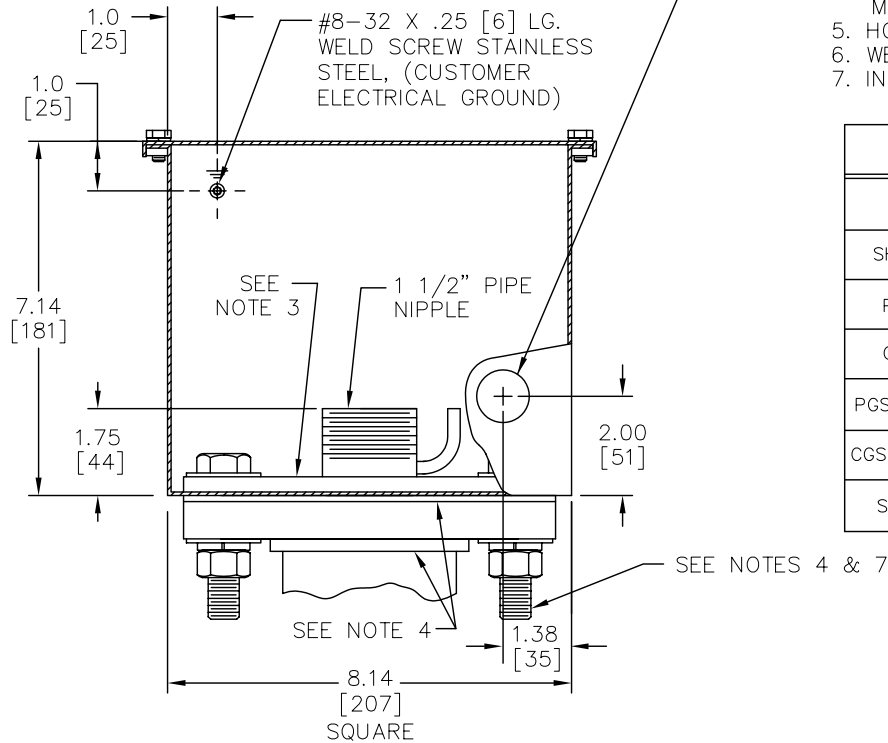
REV	REVISIONS	DATE	APP'D
A	ORIGINAL RELEASE	4/97	EDC
B	REV PER ECO# 2789	10/01	DAS



SHOWN WITH COVER REMOVED
 3/4 CONDUIT WIRING ACCESS
 1.06 [27] DIA

NOTES

- COVER, WITH GASKET, SCREWS AND WASHERS SUPPLIED, SEE CHART.
- BOX MATERIAL: SEE CHART.
- 3/8 STIFFENER MATERIAL: SEE CHART.
- HOUSING IS MOUNTABLE ON THE FOLLOWING FLANGES.
 ANSI: B16.5, 150 LB, 3 INCH.
 DIN: 2576, NP10, 65 mm.
 JIS: B2202, 10K, 80 mm.
 MOUNTING FLANGE, GASKET AND HARDWARE PROVIDED BY CUSTOMER.
- HOUSING IS DUST TIGHT AND WATER TIGHT TO IP 53 PER IEC 529.
- WEIGHT APPROXIMATELY 20 LBS. [9.1 KG].
- INDICATED PARTS ARE SHOWN OUT OF ORIENTATION.



MODEL NO.	CONSILIUM PART NO.	BOX/COVER MATERIAL	STIFFENER MATERIAL	SCREW/WASHER MATERIAL
SH/887-03	1821201	304 SS	HRS ZINC PLATE	304 SS
SH/887-03 (CSA)	1821202	304 SS	HRS ZINC PLATE	304 SS
PGS/SH887-03	1821203	304 SS	HRS ZINC PLATE	304 SS
CGS/SH887-03	1821204	304 SS	HRS ZINC PLATE	304 SS
PGS/SH887-03 (CSA)	1821205	304 SS	HRS ZINC PLATE	304 SS
CGS/SH887-03 (CSA)	1821206	304 SS	HRS ZINC PLATE	304 SS
SH/316SS887-03	1821207	316 SS	316 SS	316 SS

DIMENSIONS ARE INCHES ALL METRIC DIMENSIONS ARE DERIVED FROM INCHES		JOWA USA	
.X# .020 .XX# .010 .XXX# .005		OUTLINE & MOUNTING 887 SENSOR HOUSING	
DRN: MAP	3/21/97	C	1825001
CKD:			
NEXT ASSY	USED ON	APPD: EDC	4/30/97
SCALE: 1:2		SHEET 1 OF 1	